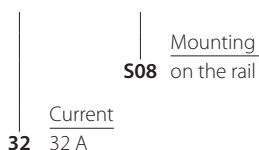


## Main disconnecter, rail-mounted, ŁK32RG S08



### Ordering code

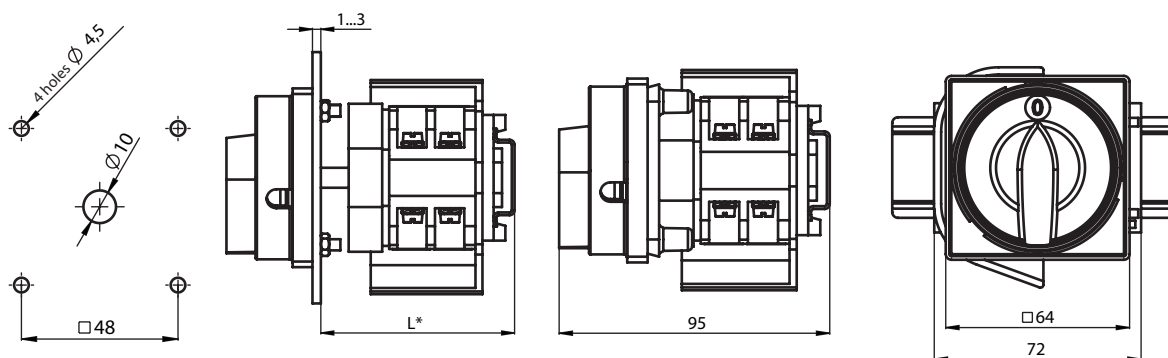
**ŁK 32 RG\ S08**



Standard assemblies are fitted with a switch 2.421

### Dimensions

Snap mounting on TS35 rail



\* L - box depth (should be specified in the order)

### Technical data (continuous work)

Rated insulation voltage $U_i$	690 V
Rated withstand impulse voltage $U_{imp}$	6 kV
Rated continuous current $I_u=I_{th}$	32 A
Rated operational power $P_e$ for AC-3	9 kW (230 V) 17 kW (400 V) - 18 kW (690 V)
Rated operational power $P_e$ for AC-4	7.5 kW (230 V) 10 kW (400 V) - 7.5 kW (690 V)
Rated operational current $I_e$ for AC-3	32 A (230 V) 28 A (400 V) - 16 A (690 V)
Rated operational current $I_e$ for AC-4	25 A (230 V) 20 A (400 V) - 8 A (690 V)
Short-time short-circuit withstand current $I_{cw}(1s)$	1 kA
Rated short-circuit making current $I_{cm}$	1.4 kA
Rated conventional short-circuit current	12 kA
Rated current fuse link gG	32 A
Ambient temperature	-40 ... +70°C (work) -40 ... +70°C (storage)
Wire gauge	4...6 mm <sup>2</sup>
Protection level: PN-EN 60529 to the panel	IP65
Vibration test (acc. to IEC 60068-2-6)	2...13, 2...100 Hz (frequency) ± 1 mm (acceleration amplitude) ±0.7 g (acceleration amplitude)
Shock test (acc. to IEC 60068-2-27)	15 g (peak acceleration) 11 ms (impulse duration)
Damp heat cyclic test (acc. to IEC 60068-2-30)	55°C (ambient temperature) 95% (relative humidity)
Salt mist cyclic test (acc. to IEC 60068-2-52)	severity 1